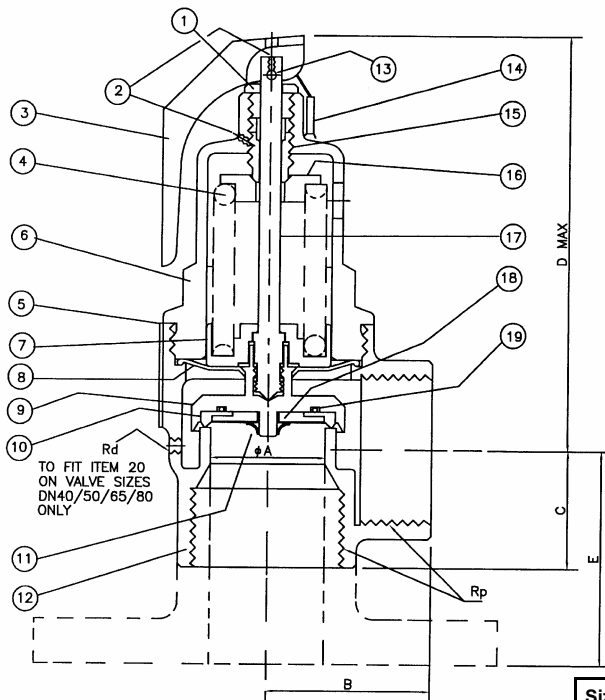


FIG 542 SAFETY RELIEF VALVE

Applications: The Fig 542 safety relief valve is an extremely versatile valve, suitable for use on hot water, steam or air. Although designed primarily for the protection of hot water boilers, its' wide range of applicants make it an ideal valve for stocking as a general purpose safety valve.

Construction: The Fig 542 is of gunmetal construction, with diaphragm protected working parts and PTFE to metal seating. All wetted parts are manufactured from dezincification resistant materials, approved by the Water Research Centre for use on potable water. Inlet and outlet connections are of equal size, with female threads to BS 21. Sizes from DN32 upwards are also available with flanged inlet connections.



Item	Description	Material
1	Thrust Washer	BS-EN 12154:1998 CW609N
2	Grubscrew	Steel
3	Test Lever	BS-EN1982:1999 TABLE 7 (CC754S)
4	Spring	Steel—BS2803/BS970
5	Nameplate	Aluminium
6	Spring Cover	BS-EN 1982:1999 CB491K
7	Piston	BS-EN 12164:1998 CW609N
8	Diaphragm	Silicone Rubber
9	Seat Seal Holder	BS-EN 1982:1999 CB/CC491K
10	Seat Seal	Virgin PTFE
11	Starlock Washer	Stainless Steel
12	Body	BS-EN 1982:1999 CB491K (3.1b Certified)
13	Lever Pin	Steel
14	Lead Seal	Lead
15	Adjusting Screw	BS-EN 12164:1998 CW609N
16	Spring Plate	BS-EN 12164:1998 CW609N
17	Spindle	BS-EN 12164:1998 CW721R
18	Seat Seal Retaining Plate	BS-EN 1982:1999 CC491K
19	O Ring	Viton
20	Drain Plug	BS-EN 12164:1998 CW609N

Body Material: Gunmetal
 Maximum Set Pressure: 10.5 BARg
 Maximum Temperature: 195°C

Size DN	A mm	B mm	C mm	D mm	E mm	R _p BSP	R _d BSP
15	15	30	23	90	-	½	-
20	20	34	23	95	-	¾	-
25	25	39	27	105	-	1	-
32	32	46	33	120	60	1½	-
40	40	54	38	160	64	1½	¼
50	50	64	46	190	73	2	¼
65	65	76	55	220	83	2½	¼
80	80	90	65	270	96	3	3/8

Features:

- Resilient PTFE Seating Design
- High Degree of Seat Tightness
- Suitable for Hot Water, Steam and Air
- Diaphragm Protected Working Parts
- Safe Manual Testing
- Easy Inspection and Cleaning
- Pressure Setting Locked and Sealed
- Designed and Tested to BS 6759
- Capacities Certified by AOTC
- Approved by Water Research Centre
- UKWFBFS Listed
- Padlock Available

Fig 542 DISCHARGE CAPACITY TABLES

The discharge capacity of a safety valve must be equal to or greater than the output of the boiler or system it is protecting. To ensure that the correct method of sizing is used, reference should be made to the relevant BS specification for the design of the boiler or system. Fig 542 capacities are tabulated below to assist selection.

Hot Water—Vented System

Size	DN20	DN25	DN32	DN40	DN50	DN65	DN80
kW	264	352	440	528	732	1142	1640

To convert to Btu/hr multiply by 3400

The capacities tabulated above include a vent allowance and must only be use for open vented systems.

Hot Water—Unvented System—10% Overpressure

Set Pressure (Bar g)	kW							
	DN15*	DN20	DN25	DN32	DN40	DN50	DN65	DN80
1.0	23	41	64	106	165	258	436	660
2.0	35	63	98	161	251	393	664	1005
3.0	47	84	132	216	338	528	892	1351
4.0	60	106	166	271	424	663	1120	1697
6.0	84	149	233	382	597	933	1576	2388
8.0	108	192	301	493	770	1203	2033	3079
10.5	139	246	385	631	986	1540	2603	3943

To convert to Btu/hr multiply by 3400

Steam—10% Overpressure

Set Pressure (Bar g)	kg/hr							
	DN15*	DN20	DN25	DN32	DN40	DN50	DN65	DN80
1.0	37	66	103	168	263	411	695	1053
2.0	56	100	157	257	401	627	1059	1604
3.0	76	135	211	345	539	842	1423	2156
4.0	95	169	264	433	677	1058	1787	2708
6.0	134	238	372	610	953	1489	2516	3811
8.0	173	307	480	786	1228	1919	3244	4914
10.5	221	393	615	1007	1573	2458	4154	6293

To convert to lb/hr multiply by 2.2

* The minimum bore size permitted by BS specifications for steam and hot water boilers is 20mm. Capacities given for the smaller sizes in the above tables are for applications outside the scope of these standards.

Air—10% Overpressure

Set Pressure (Bar g)	std. litres/sec							
	DN15*	DN20	DN25	DN32	DN40	DN50	DN65	DN80
1.0	14	24	38	62	97	151	256	387
2.0	21	37	58	94	147	230	389	590
3.0	28	50	77	127	198	310	523	793
4.0	35	62	97	159	249	389	657	995
6.0	49	88	137	224	350	547	925	1401
8.0	64	113	176	289	452	706	1192	1806
10.5	81	145	226	370	578	904	1527	2313

To convert to ft³/min multiply by 2.1

The unvented hot water, steam and air discharge capacities tabulated above have been calculated in accordance with BS 6759, using a derated coefficient of discharge (Kdr) of 0.19, approved by AOTC.

Disclaimer

The information, specifications and technical data contained in this catalogue are subject to change without notice. The user should verify all technical data and specifications prior to use. Broady Valves does not warrant that the material and information contained herein is current or correct and assumes no responsibility for the use or misuse of any such material and information by the user.

Distributors for DELTA FLUID PRODUCTS LIMITED

Nabic Division, Delta Road,
St. Helens, Merseyside, WA9 2ED